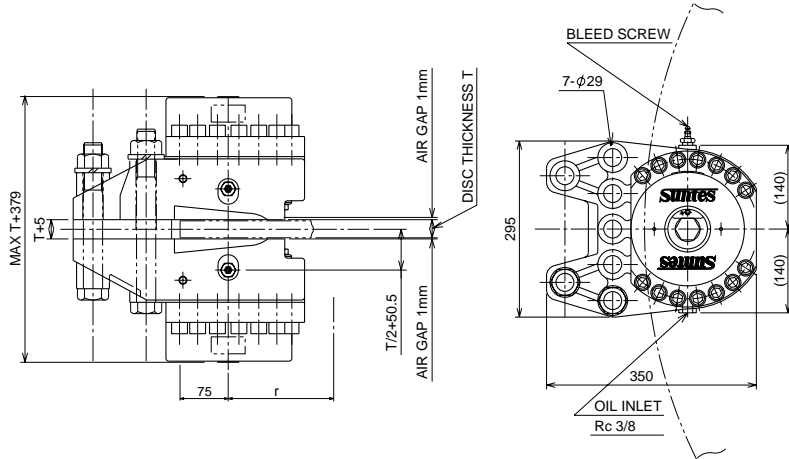
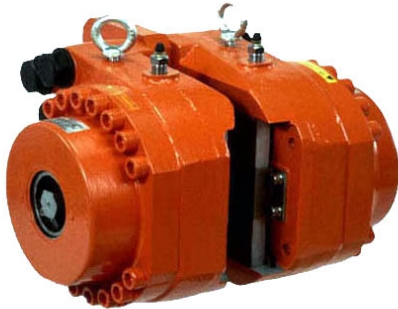


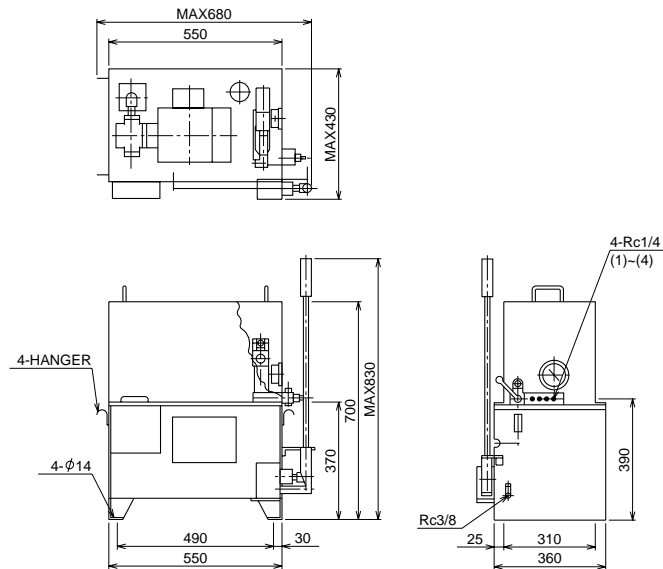
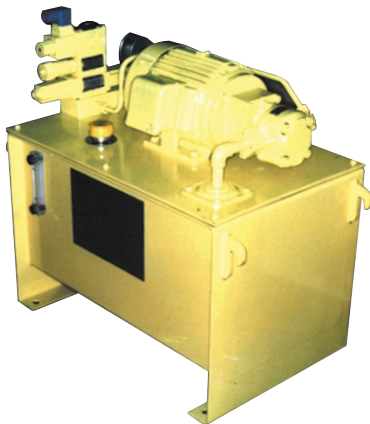
DB-5520YF



● SPECIFICATION

· MODEL TYPE		DB-5520YF
· USABLE DISC DIA (mm)	(mm)	$\phi 1170 - \infty$
· EFFECTIVE RADIUS OF BRAKING (m)	(m)	$r = \frac{1}{1000} (\frac{DISC DIA}{2} - 75)$
· PAD MODEL TYPE		DB-0452-K03
· BRAKING FORCE (kN)	(kN)	108 (10.8T)
(AIR GAP, ONESIDE 1mm)		
· SET OIL PRESSURE (MPa)	(MPa)	Min13.5~Max17(135~n170kgf/cm ²)
· COEFFICIENT OF STATIC FRICTION		0.3
· WEIGHT (kg)	(kg)	134
· TORQUE CALCULATION (BRAKING FORCE=kN)		T (kN-m) = kN × r

Hydraulic Unit



● SPECIFICATION

· MOTOR (kW)	(kW)	0.75×4P/200V
· PUMP		PRESSURE 14MPa (140kgf/cm ²) FLOW RATE 1.5ℓ/min.
· SOLENOID VALVE (V)	(V)	AC100/200
· WEIGHT (kg)	(kg)	100

*Consult for special specification.